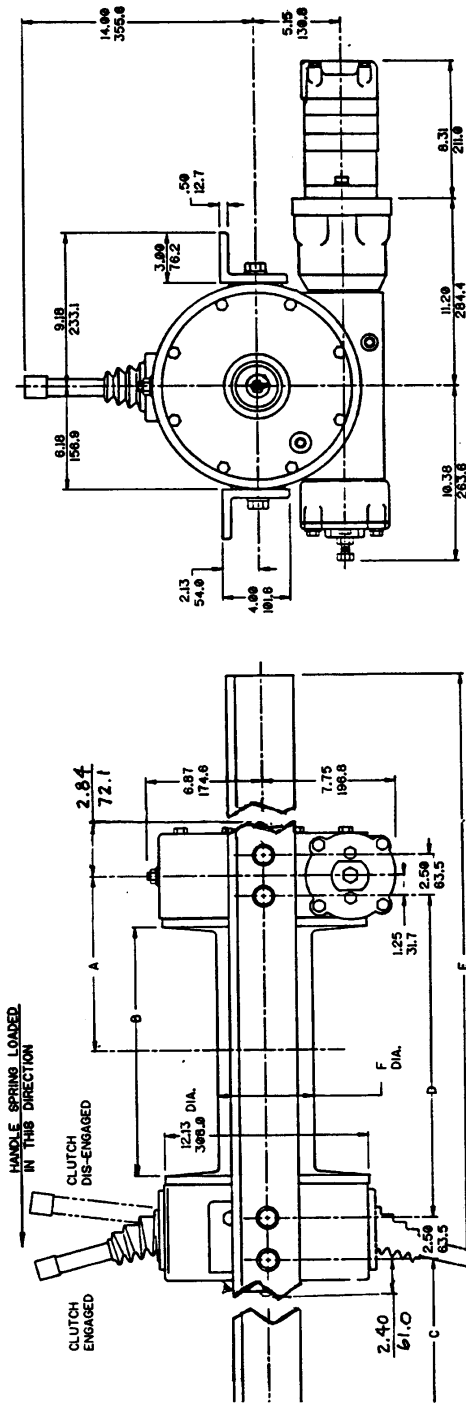


Model 800 Dow-Lok® H-800 / HY-800

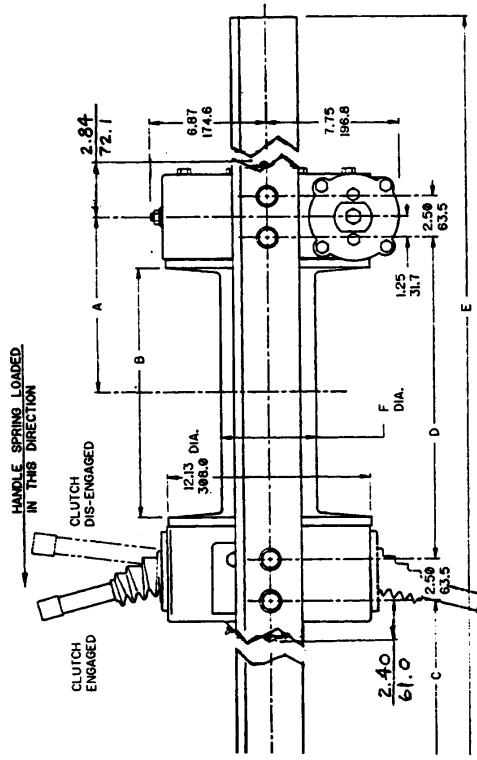
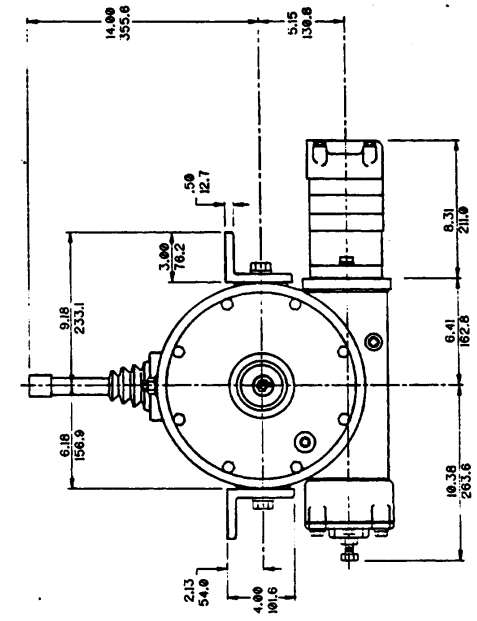
WINCH MODEL	A INCHES MM	B INCHES MM	C INCHES MM	D INCHES MM	E INCHES MM	F INCHES MM
H-800	16.62 268.7	15.89 381.6	13.81 350.7	19.38 492.2	52.00 1320.8	5.89 144.5
HY-800	7.75 196.8	9.44 239.8	13.88 347.4	13.83 346.2	46.00 1168.4	5.59 139.7



DIMENSIONS SHOWN ARE INCHES OVER MILLIMETERS

Model 800 Dow-Lok® SHORT COUPLING

WINCH MODEL	A INCHES MM	B INCHES MM	C INCHES MM	D INCHES MM	E INCHES MM	F INCHES MM
H-800	14.62 370.7	15.00 381.6	13.81 350.7	19.38 492.2	52.00 1320.8	5.69 144.5
HY-800	7.75 196.8	9.44 239.8	13.88 347.4	13.63 346.2	46.00 1168.4	5.59 139.7



DIMENSIONS SHOWN ARE INCHES OVER MILLIMETERS