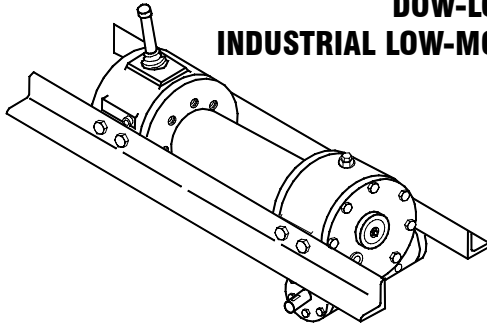




Ramsey Winch Company OWNER'S MANUAL MODEL 800 / H-800 SERIES DOW-LOK® EQUIPPED INDUSTRIAL LOW-MOUNT WINCHES



Rated Line Pull (lbs.)		20,000					
(kg)		9,060					
Gear Reduction		40:1					
Shipping Weight:	800	Y-800	H-800	HY-800			
	315 lbs. (143 Kg)	290 lbs (132 Kg)	330 lbs. (150 Kg)	325 lbs. (148 Kg)			
Layer of Cable		1	2	3	4	5**	
*Rated line pull per layer	(lbs.)	20,000	16,600	14,200	12,400	11,000	
	(kg)	9,060	7,510	6,430	5,610	4,980	
Cable Capacity 800 / H-800	(ft)	35	75	125	180	240	
	(m)*	10	22	38	54	72	
Cable Capacity Y-800 / HY-800	(ft)	20	45	75	110	150	
	(m)*	6	13	22	33	45	
*Line speed							Worm RPM
800	FPM	22	27	32	35	40	
	MPM	6.6	8.1	9.7	10.9	12.3	
H-800	FPM	18	22	26	29	33	460
	MPM	5.4	6.6	7.9	8.8	10.0	
* These specifications are based on recommended wire rope of .63 inch (16mm) diameter 6x19 extra improved plow steel cable							
** Fifth layer does not conform to SAE J706							

Note: The rated line pulls shown are for the winch only. Consult wire rope manufacturer for wire rope ratings

Congratulations

Ramsey Winches are designed and built to exacting specifications. Great care and skill go into every winch we make. If the need should arise, warranty procedure is outlined on the back of your self-addressed postage paid warranty card. Please read and fill out the enclosed warranty card and send it to Ramsey Winch Company. If you have any problems with your winch, please follow instructions for prompt service on all warranty claims. Refer to back page for limited warranty.



CAUTION: Read and understand this manual before installation and operation of winch. See Safety Precautions.